

4

3

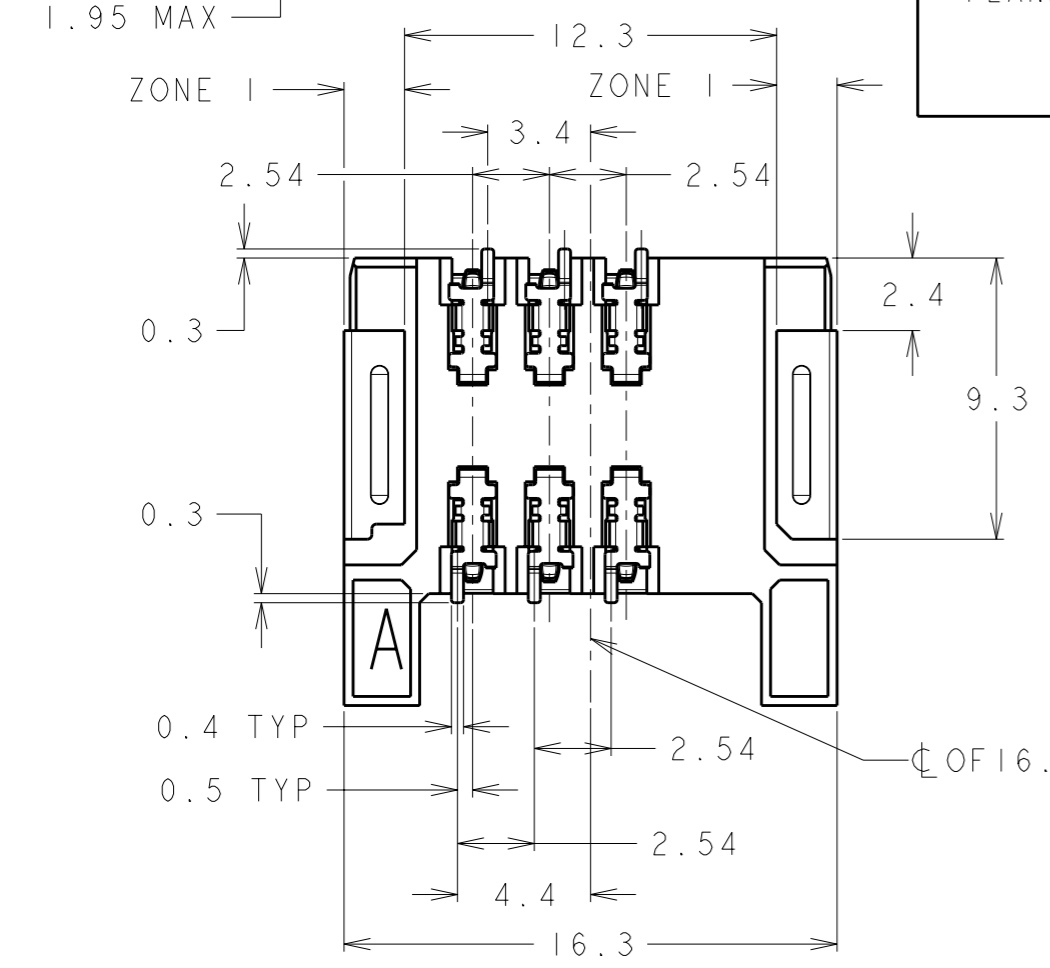
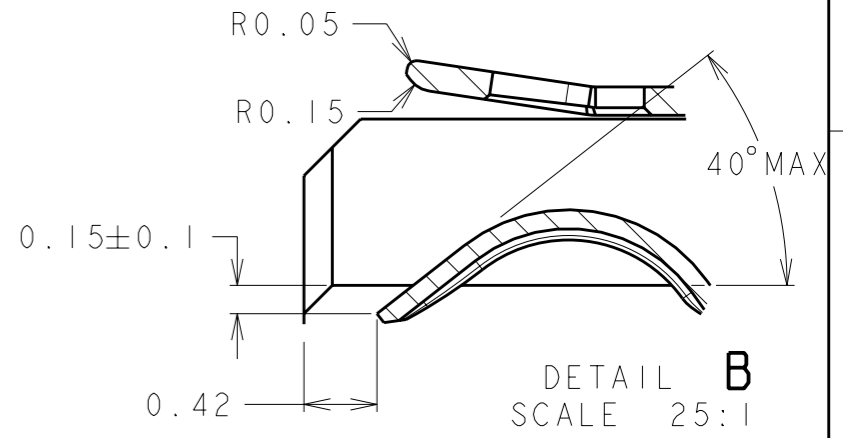
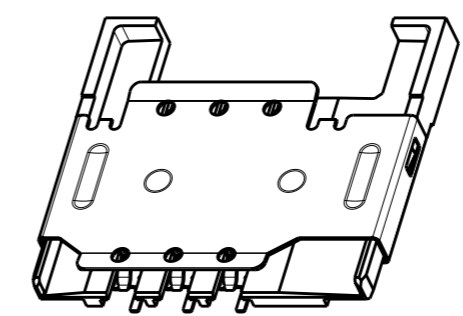
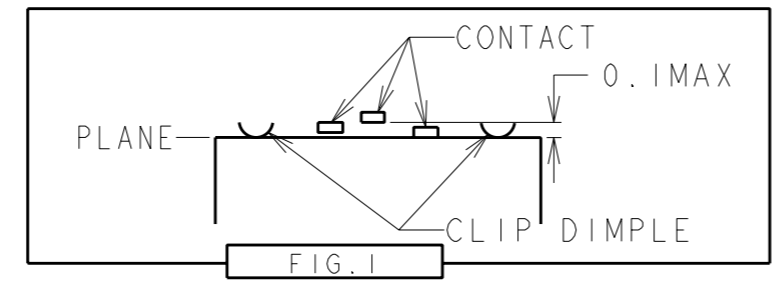
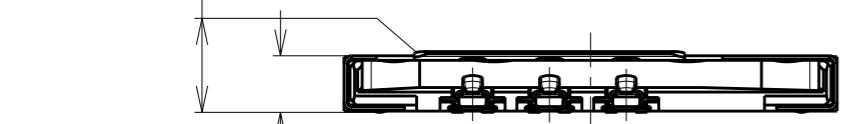
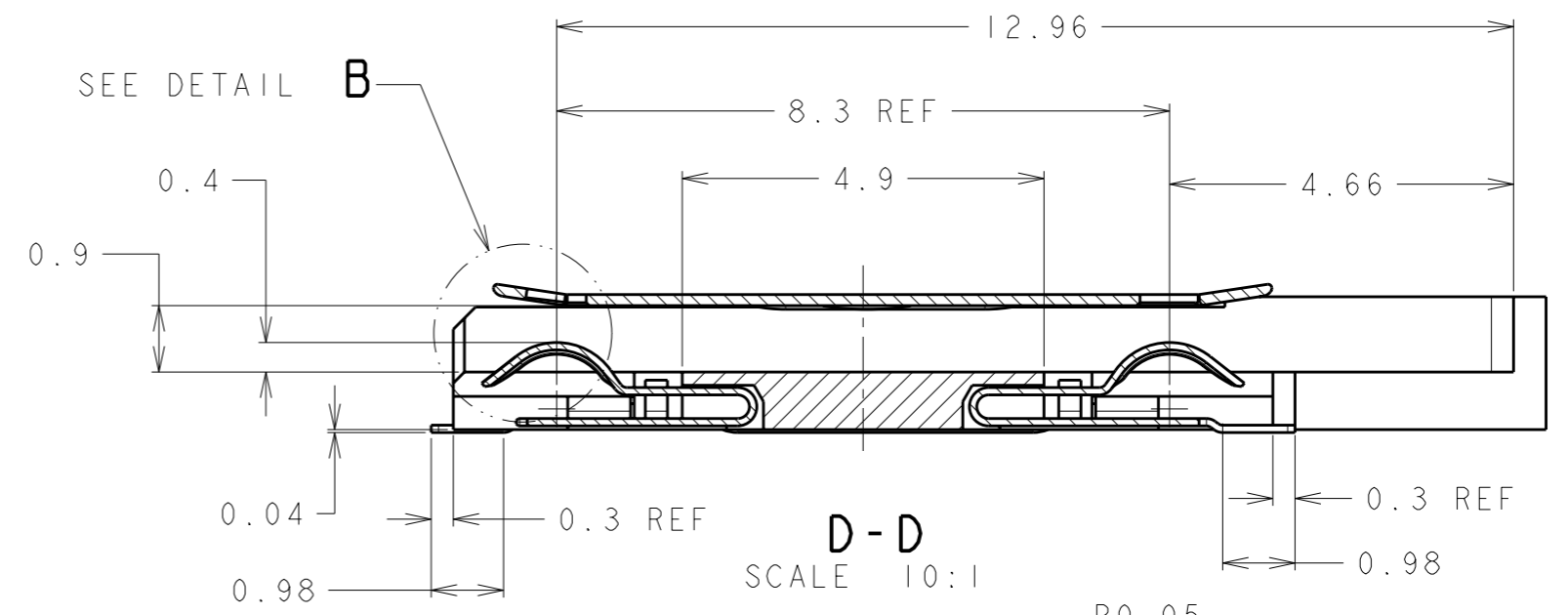
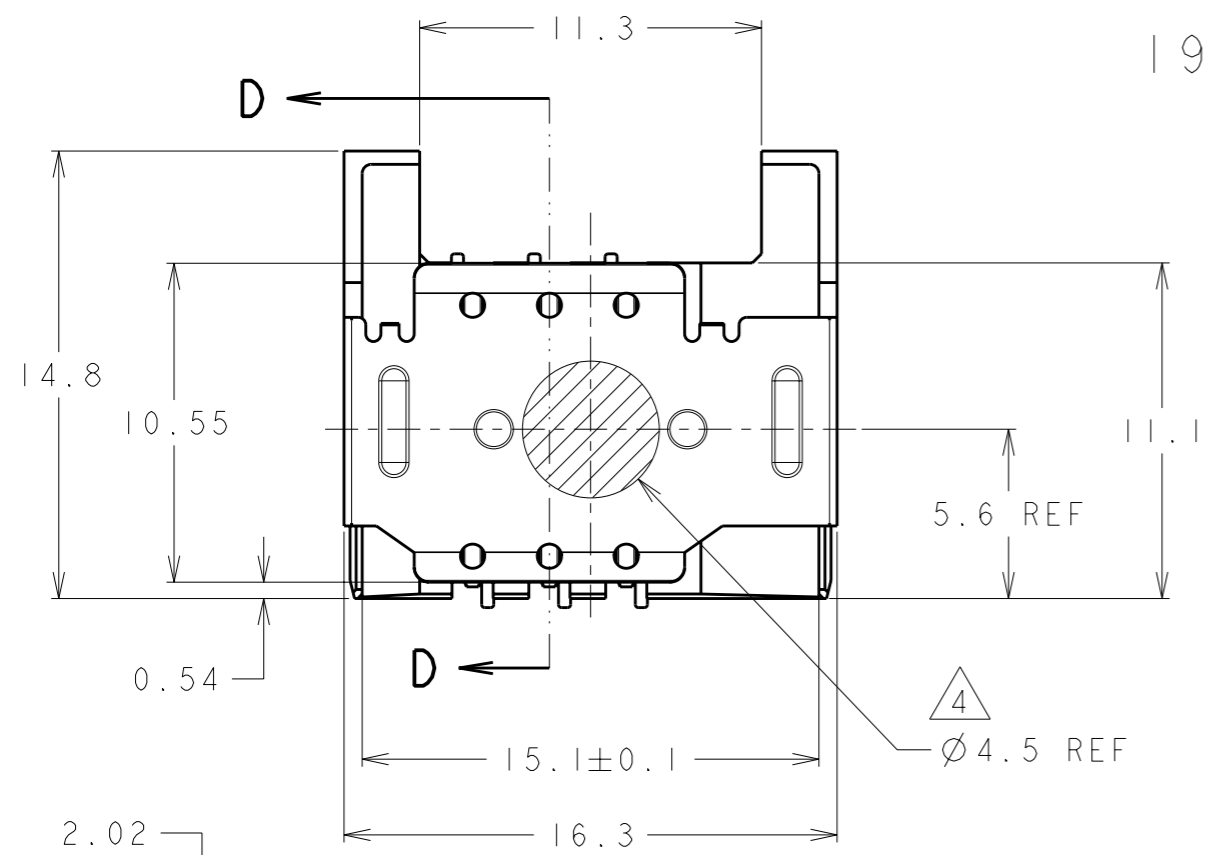
2

1

THIS DRAWING IS UNPUBLISHED. RELEASED FOR PUBLICATION 20
 © COPYRIGHT 20 BY TYCO ELECTRONICS CORPORATION. ALL RIGHTS RESERVED.

LOC	DIST	REVISIONS			
P	LTR	DESCRIPTION	DATE	DWN	APVD
ES	00	A	INITIAL RELEASE	04MAY2011	S.W S.Y
		B	REVISED	19JAN2012	S.W S.Y

1932768-1: AS SHOWN

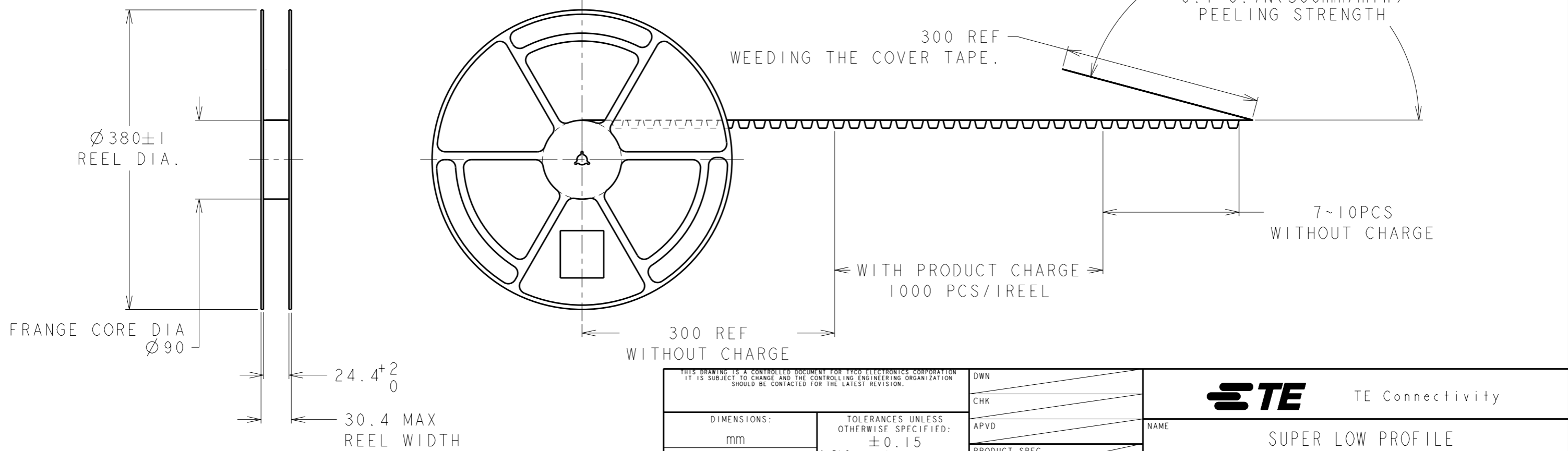
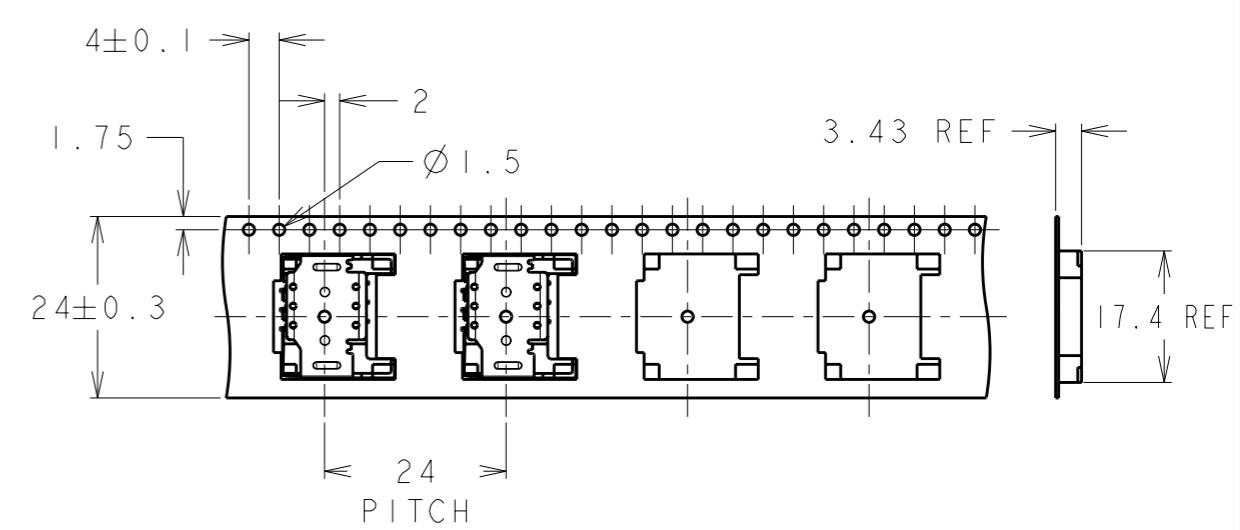
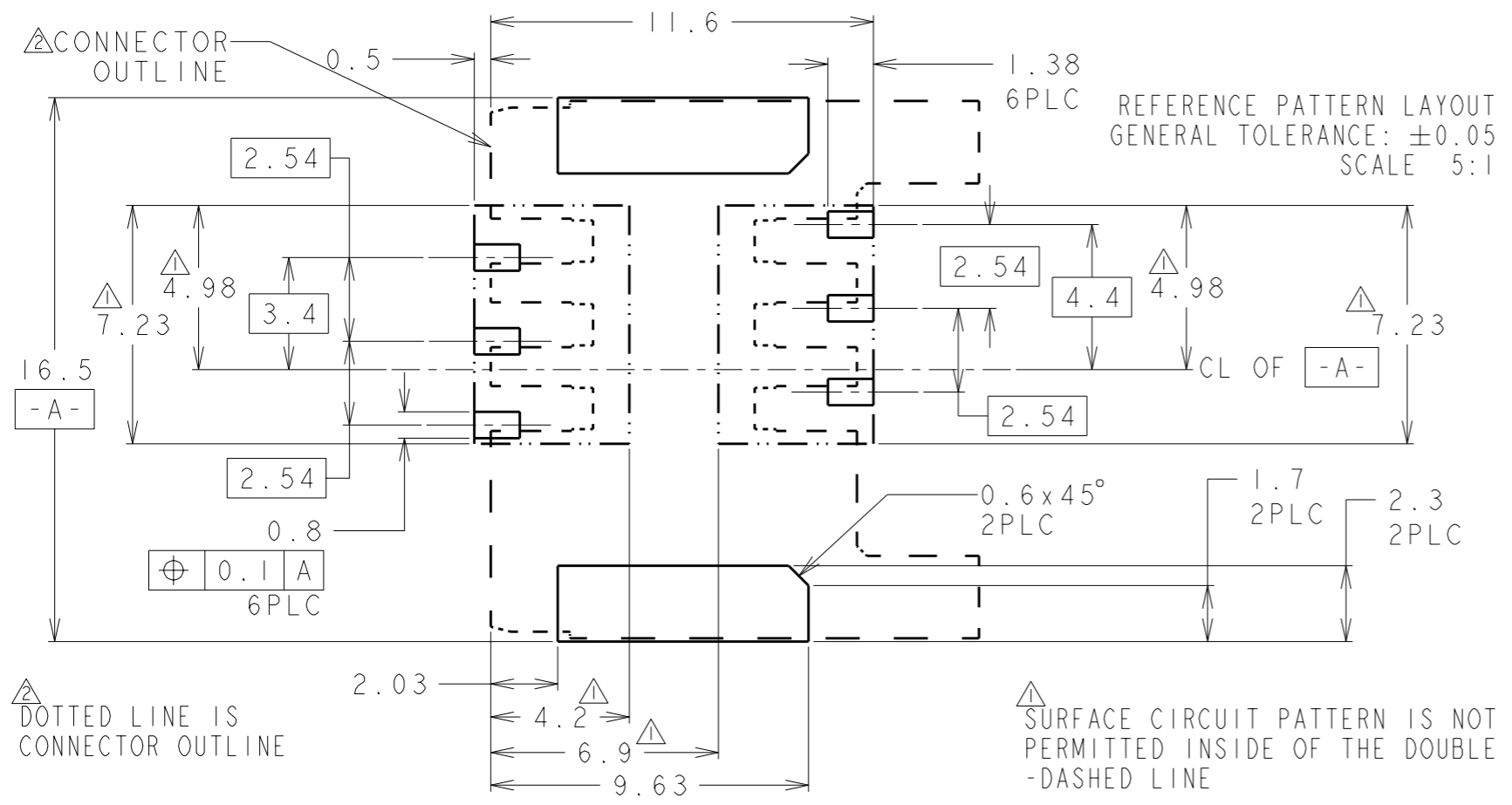


- CONTACT: COPPER ALLOY
 ALL OVER Ni: 1.27um MIN.
 CONTACT AREA PdNi: 1.0um MIN. Au: 0.2um MIN.
 SOLDERING AREA Au: 0.05um MIN.
 - CLIP: SUS
 ALL OVER Ni: 1.3um MIN.
 Tin: 1um MIN(ZONE I).
 - HOUSING: THERMOPLASTIC
- RECOMMENDED SOLDERING THICKNESS: 100um MIN.
 RECOMMENDED SOLDERING AREA:
 100% OF REFERENCE LAYOUT PATTERN
 - COPLANARITY: 0.1MAX. (SEE FIG.1)
 REFERENCE PICK & PLACE AREA.

THIS DRAWING IS A CONTROLLED DOCUMENT FOR TYCO ELECTRONICS CORPORATION IT IS SUBJECT TO CHANGE AND THE CONTROLLING ENGINEERING ORGANIZATION SHOULD BE CONTACTED FOR THE LATEST REVISION.		DWN	3DEC2010	STE TE Connectivity
		CHK	Sabrina Wang	
		APVD	Wenke He	
		APVD	3DEC2010	NAME
		PRODUCT SPEC	Steven Yao	SUPER LOW PROFILE
		APPLICATION SPEC	108-115024	SIM H=1.95
		WEIGHT	0.46g	WITH FLANGE
DIMENSIONS: mm		TOLERANCES UNLESS OTHERWISE SPECIFIED: ±0.15		SIZE
		0 PLC ±		CAGE CODE
		1 PLC ±		DRAWING NO
		2 PLC ±		RESTRICTED TO
		3 PLC ±		A300779
		4 PLC ±		C-1932768
		ANGLES ±5°		SCALE
MATERIAL		FINISH		4:1
		CUSTOMER DRAWING		SHEET
				1 OF 2
				REV
				B

THIS DRAWING IS UNPUBLISHED. RELEASED FOR PUBLICATION 20
 © COPYRIGHT 20 BY TYCO ELECTRONICS CORPORATION. ALL RIGHTS RESERVED.

LOC	DIST	REVISIONS				
P	LTR	DESCRIPTION	DATE	DWN	APVD	
ES	00	-	SEE SHEET 1	-	-	



THIS DRAWING IS A CONTROLLED DOCUMENT FOR TYCO ELECTRONICS CORPORATION IT IS SUBJECT TO CHANGE AND THE CONTROLLING ENGINEERING ORGANIZATION SHOULD BE CONTACTED FOR THE LATEST REVISION.		DWN	TE Connectivity
DIMENSIONS: mm		CHK	
TOLERANCES UNLESS OTHERWISE SPECIFIED: ±0.15		APVD	
0 PLC ± 1 PLC ± 2 PLC ± 3 PLC ± 4 PLC ± ANGLES ±5°		PRODUCT SPEC	
MATERIAL		FINISH	NAME
			SUPER LOW PROFILE SIM H=1.95 WITH FLANGE
			SIZE
			CAGE CODE
			DRAWING NO
			RESTRICTED TO
			A300779
			C-1932768
CUSTOMER DRAWING		WEIGHT	SCALE 4:1
			SHEET 2 OF 2
			REV B